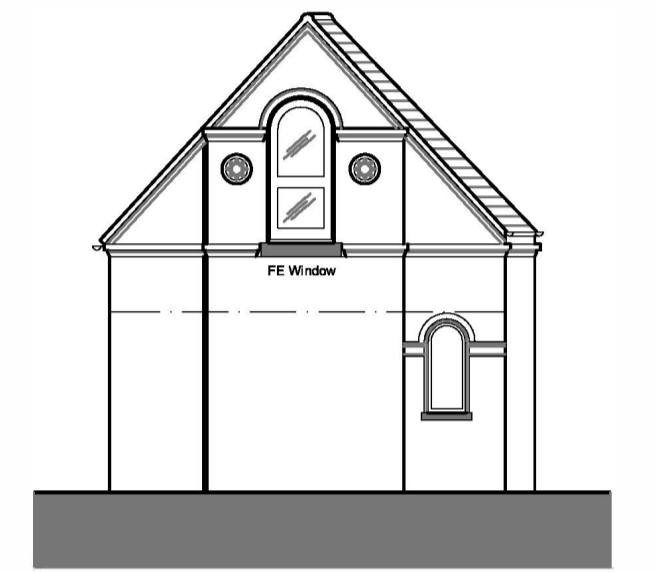
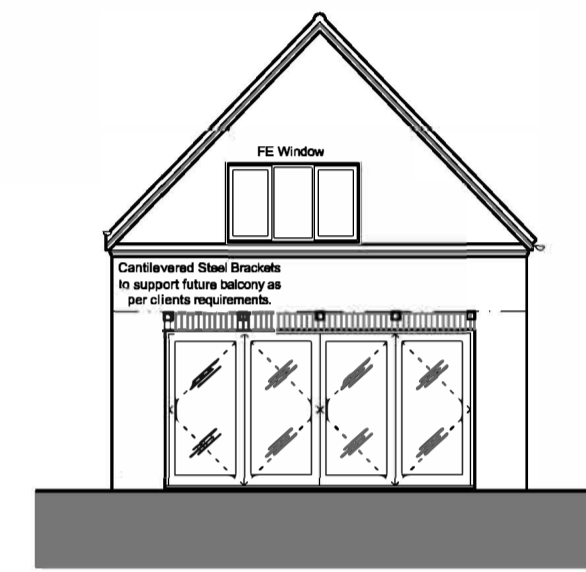
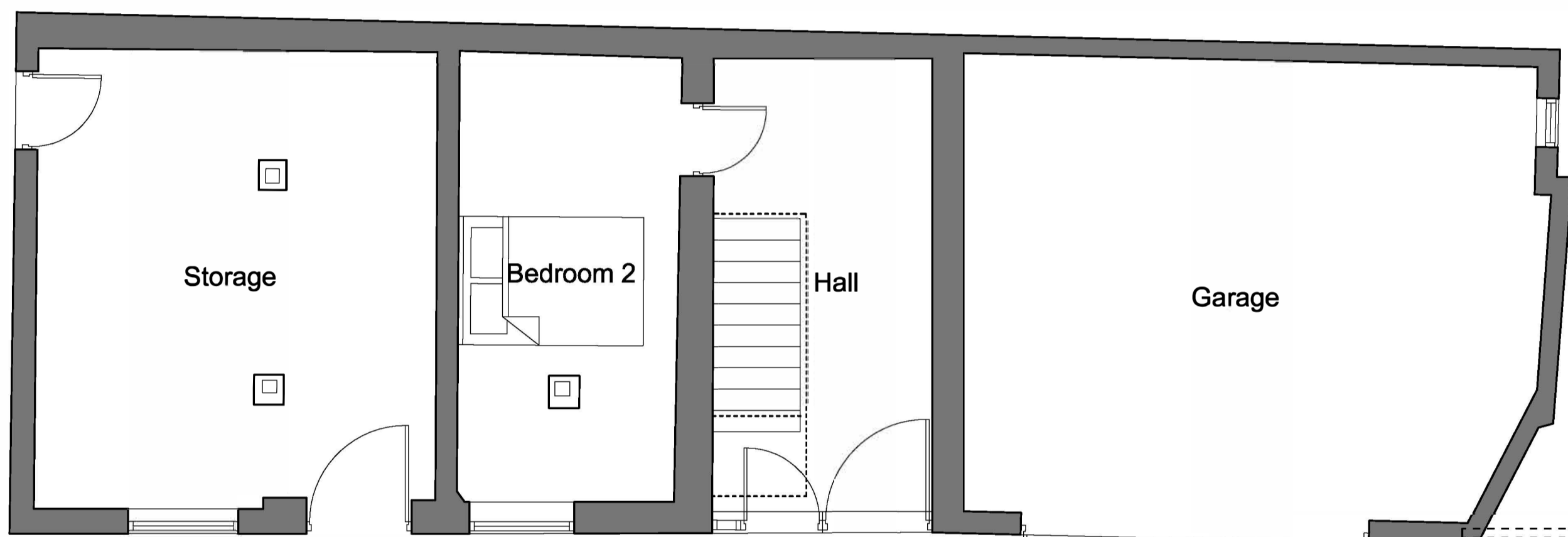
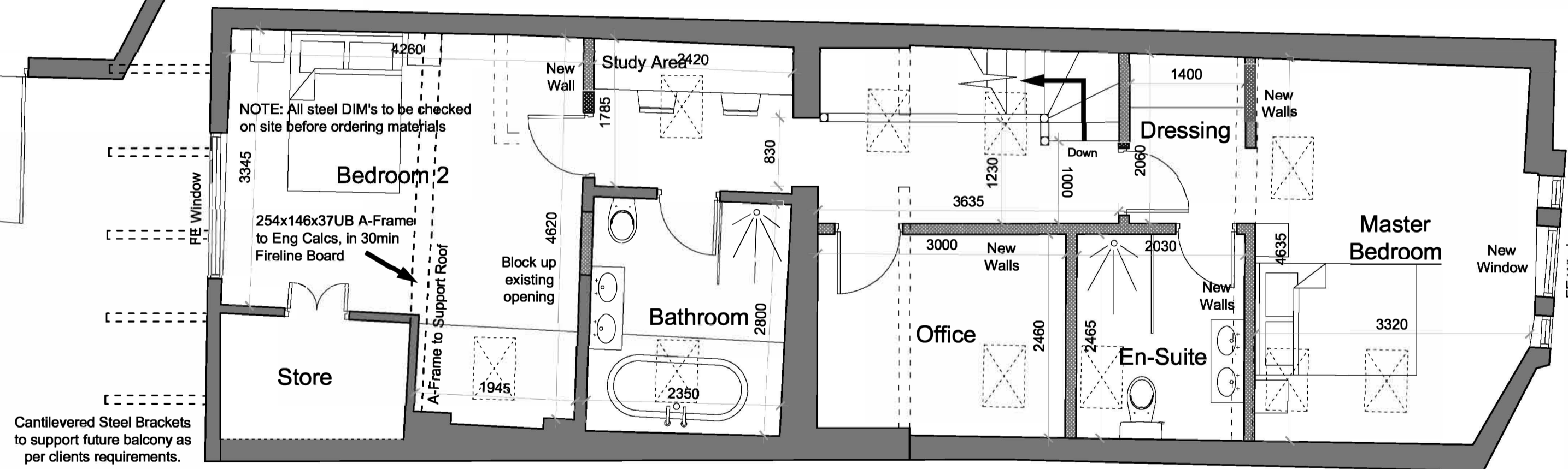


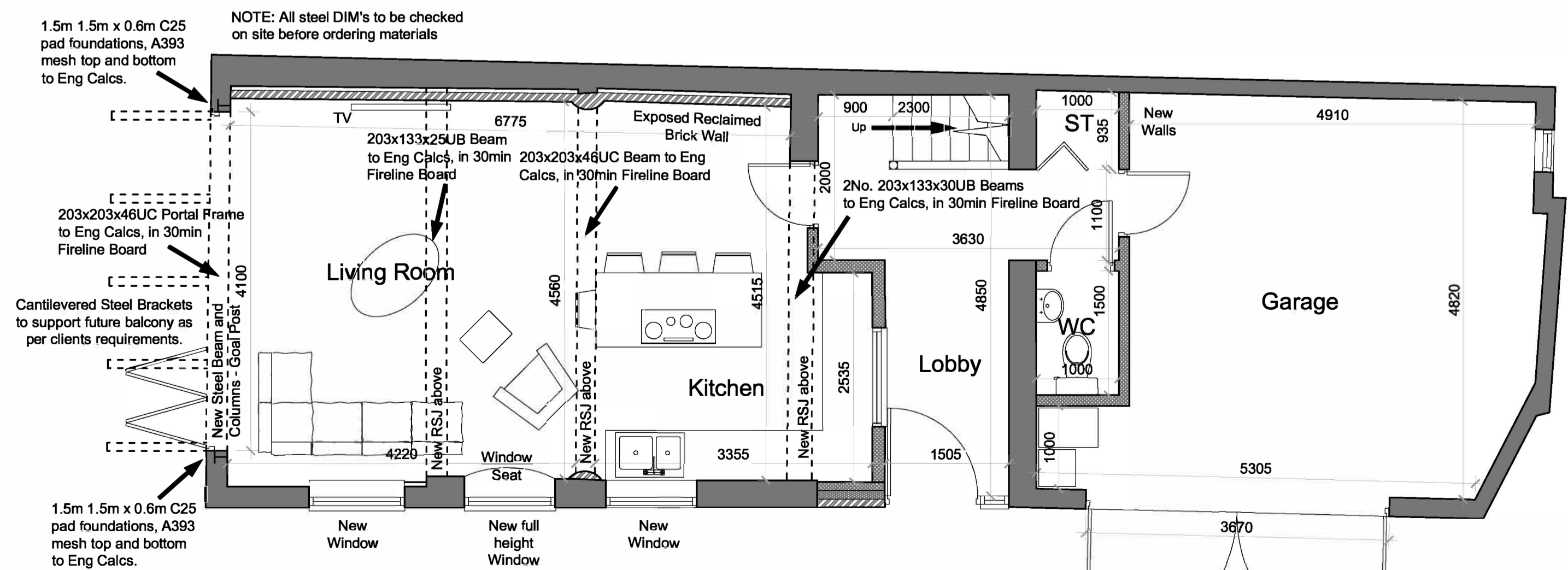
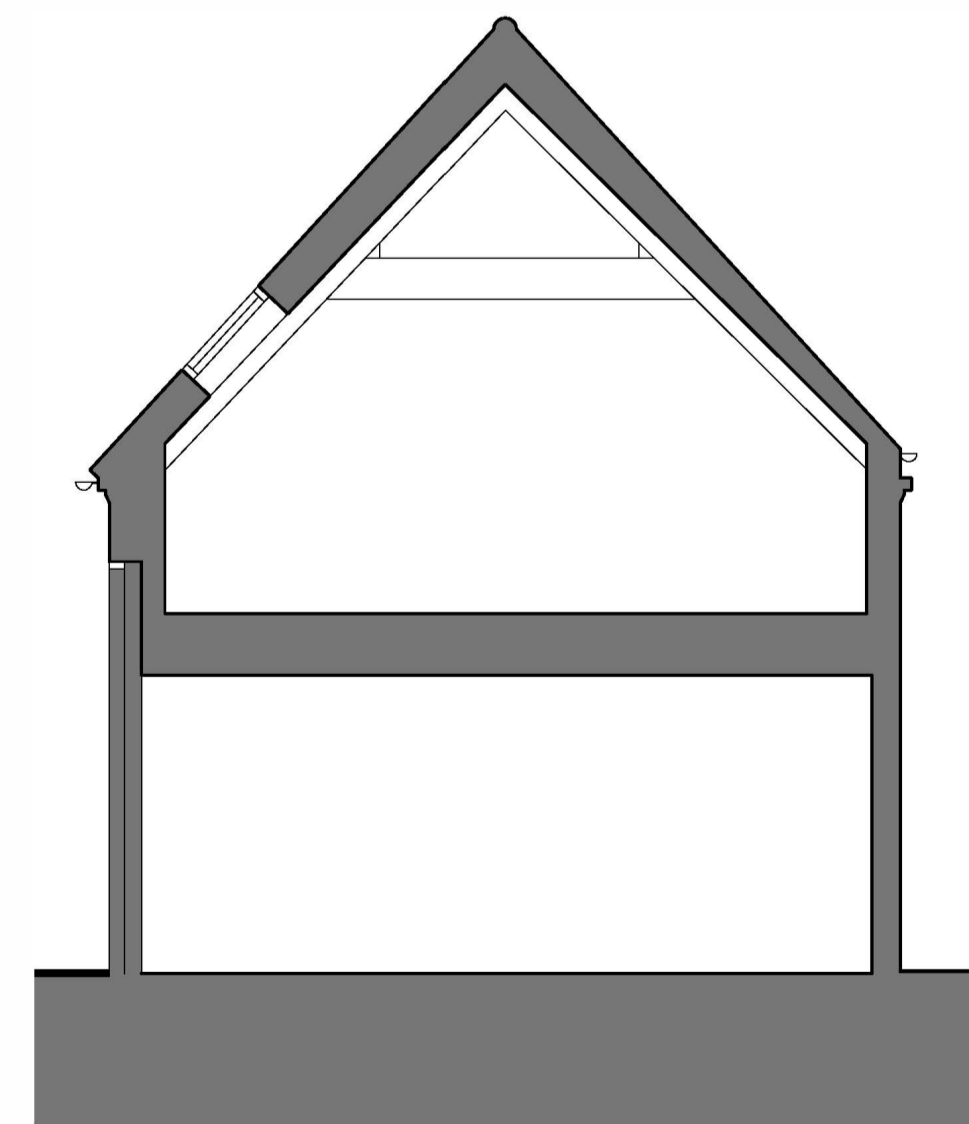
Existing First Floor Plan



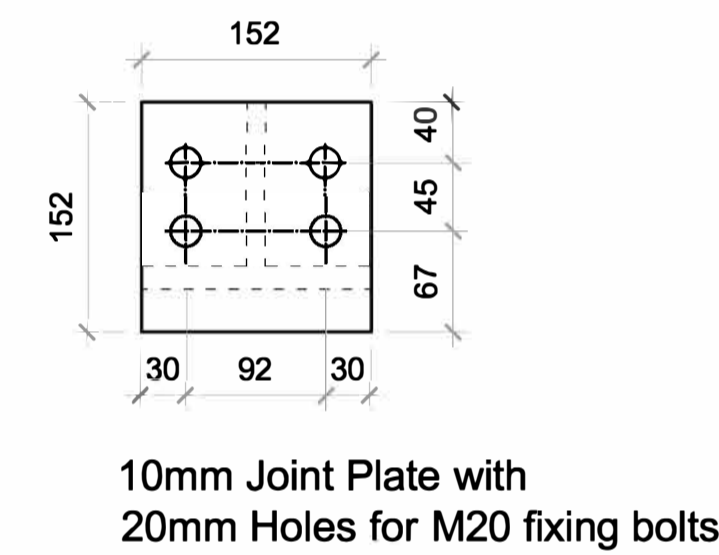
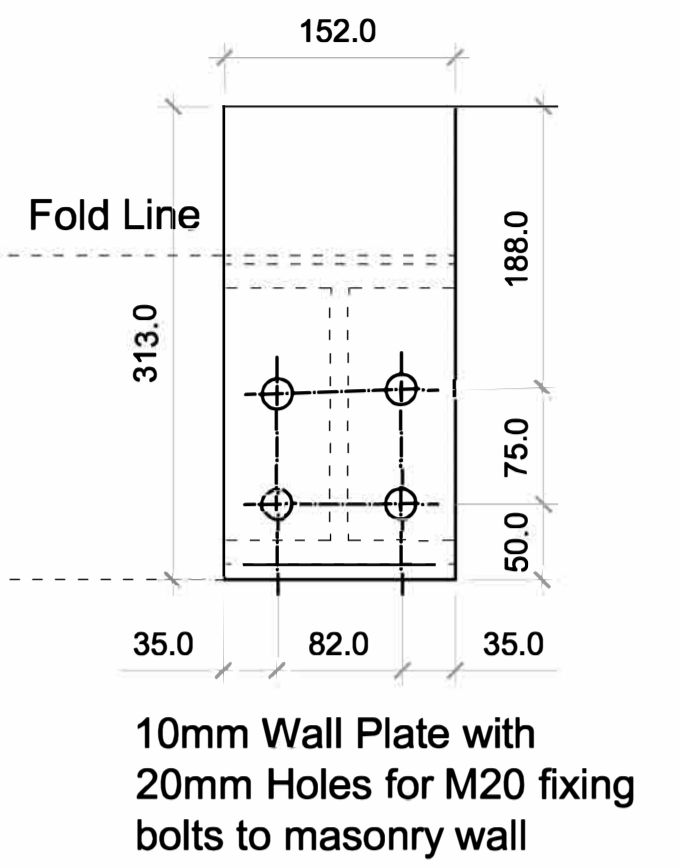
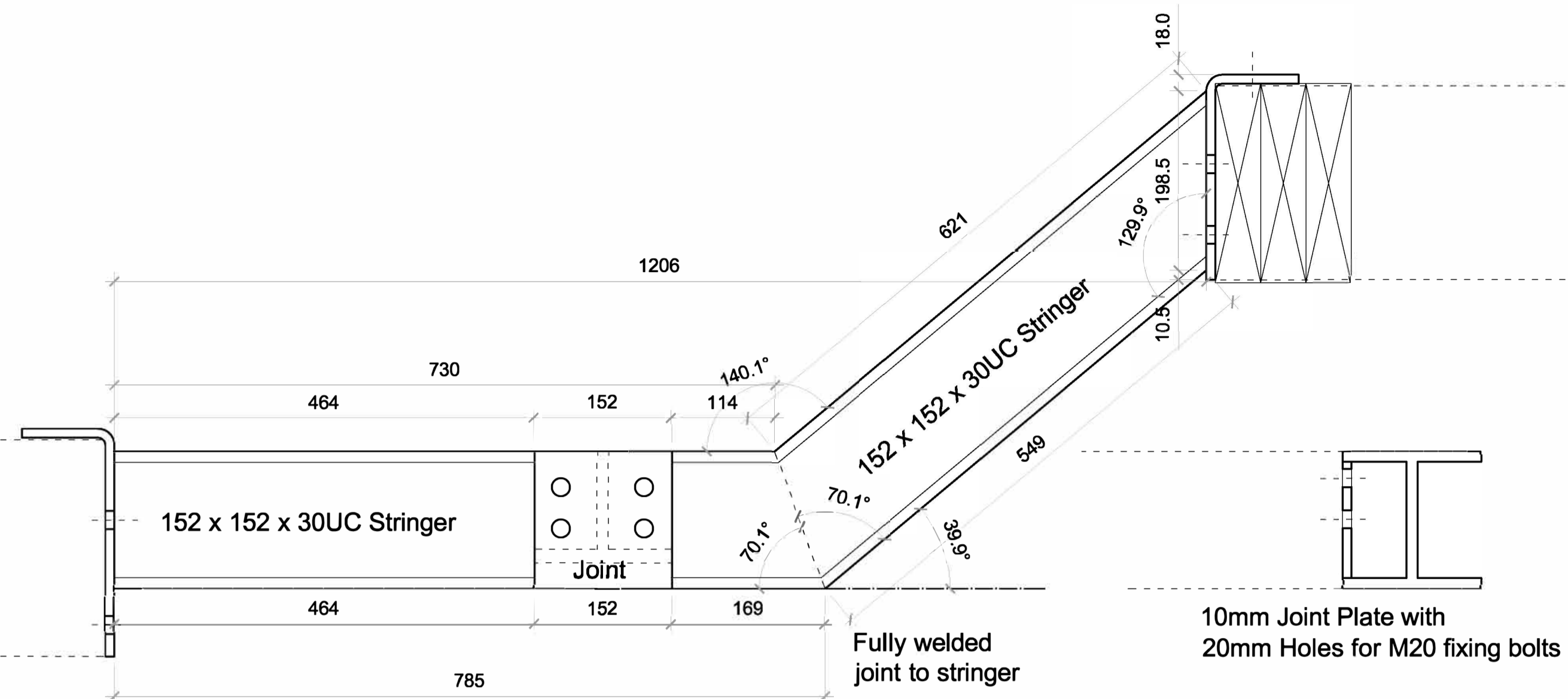
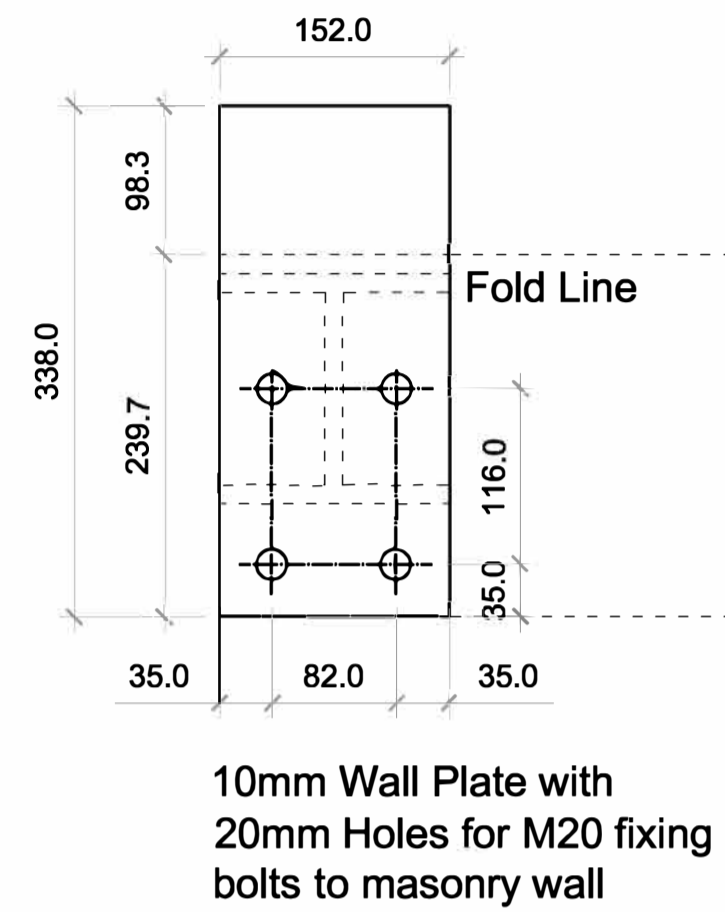
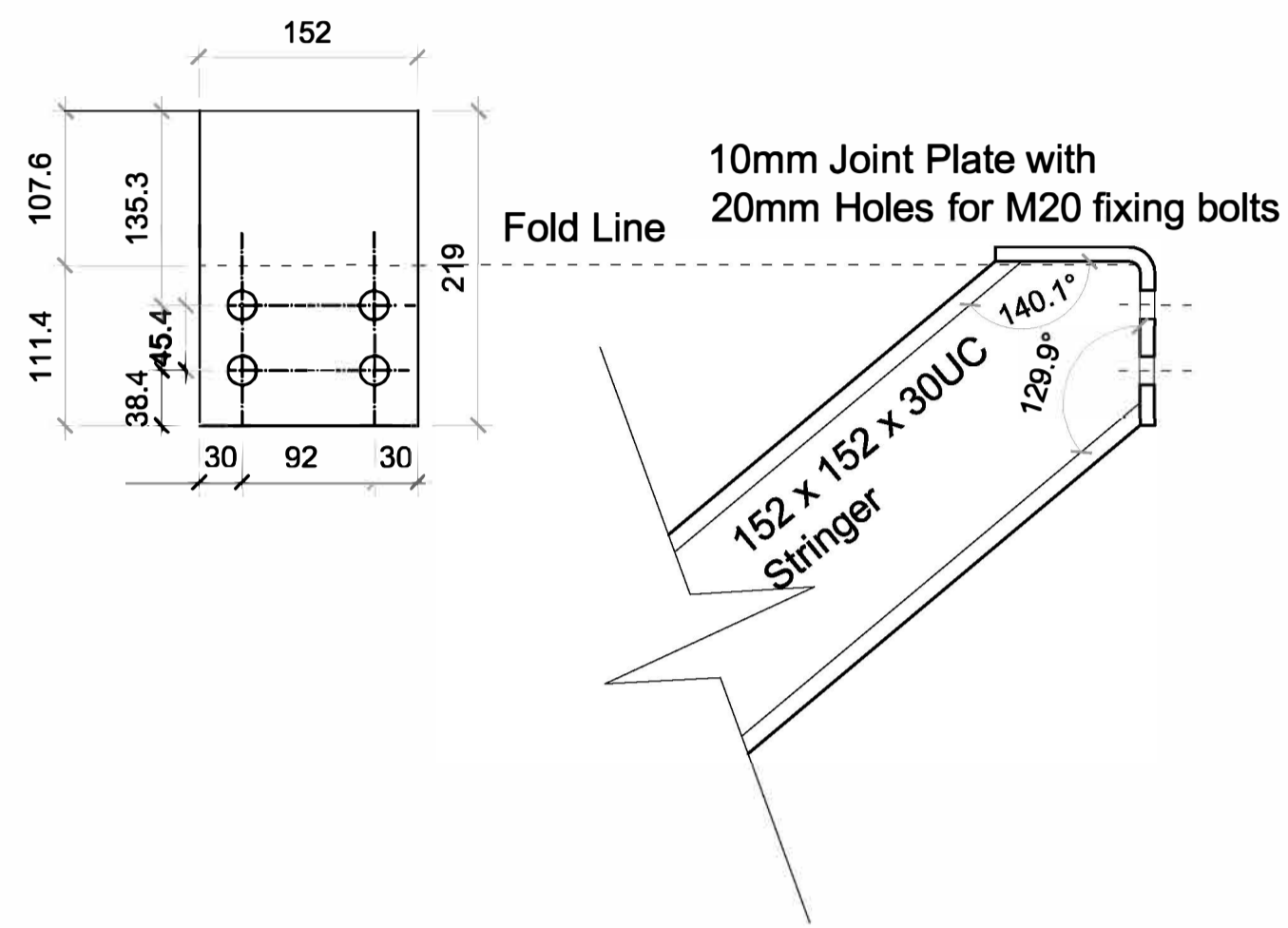
Existing Ground Floor Plan



Proposed First Floor Plan



Proposed Ground Floor Plan



Joint Connection Details (Winder)...

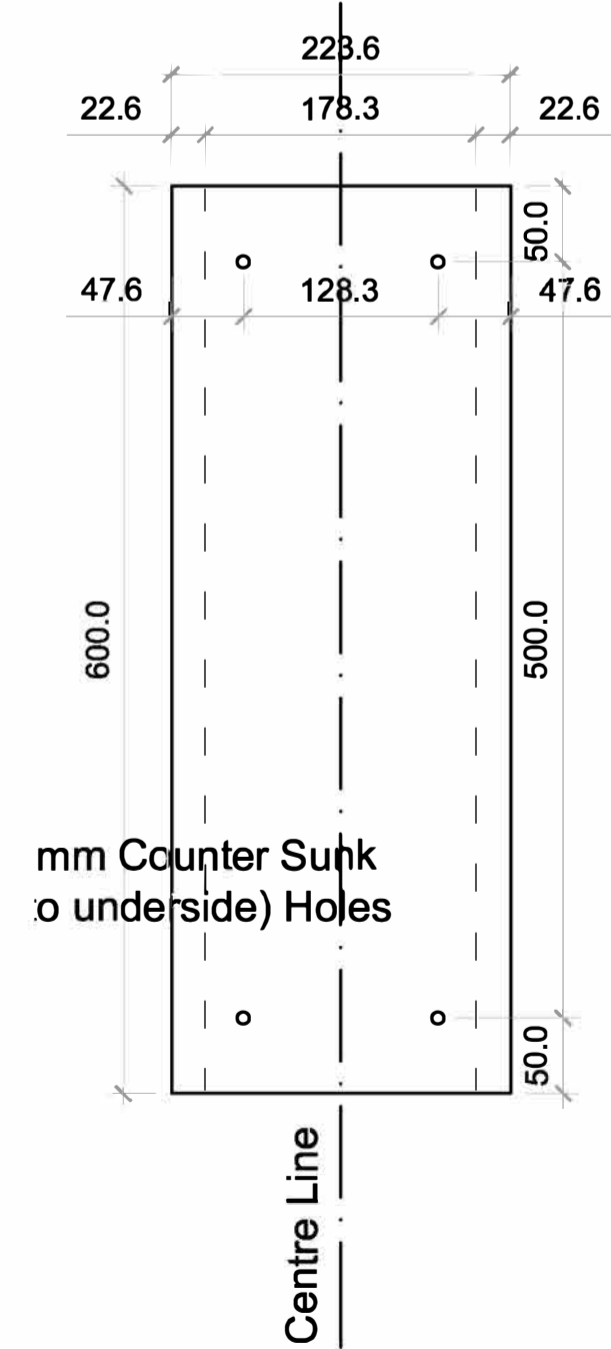


Plate Tread Detail

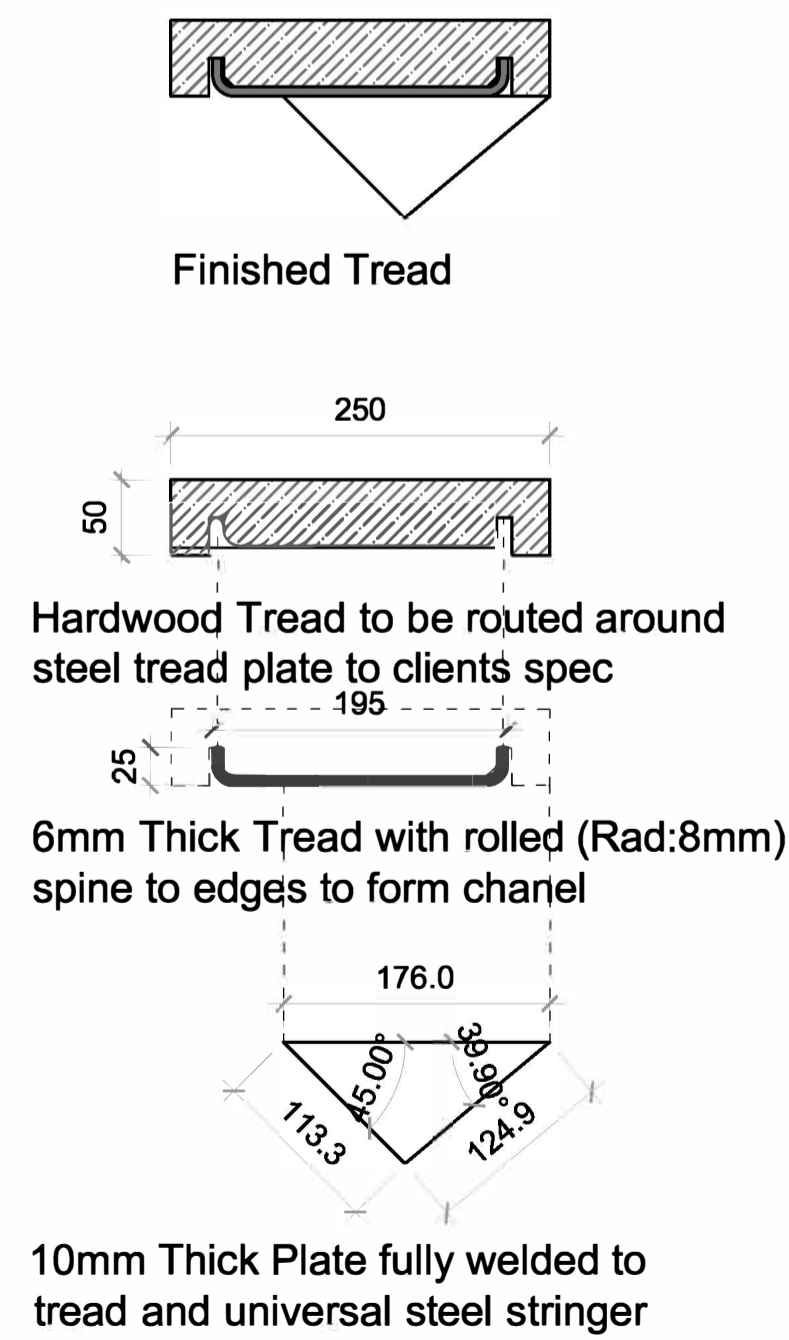


Plate Tread Detail

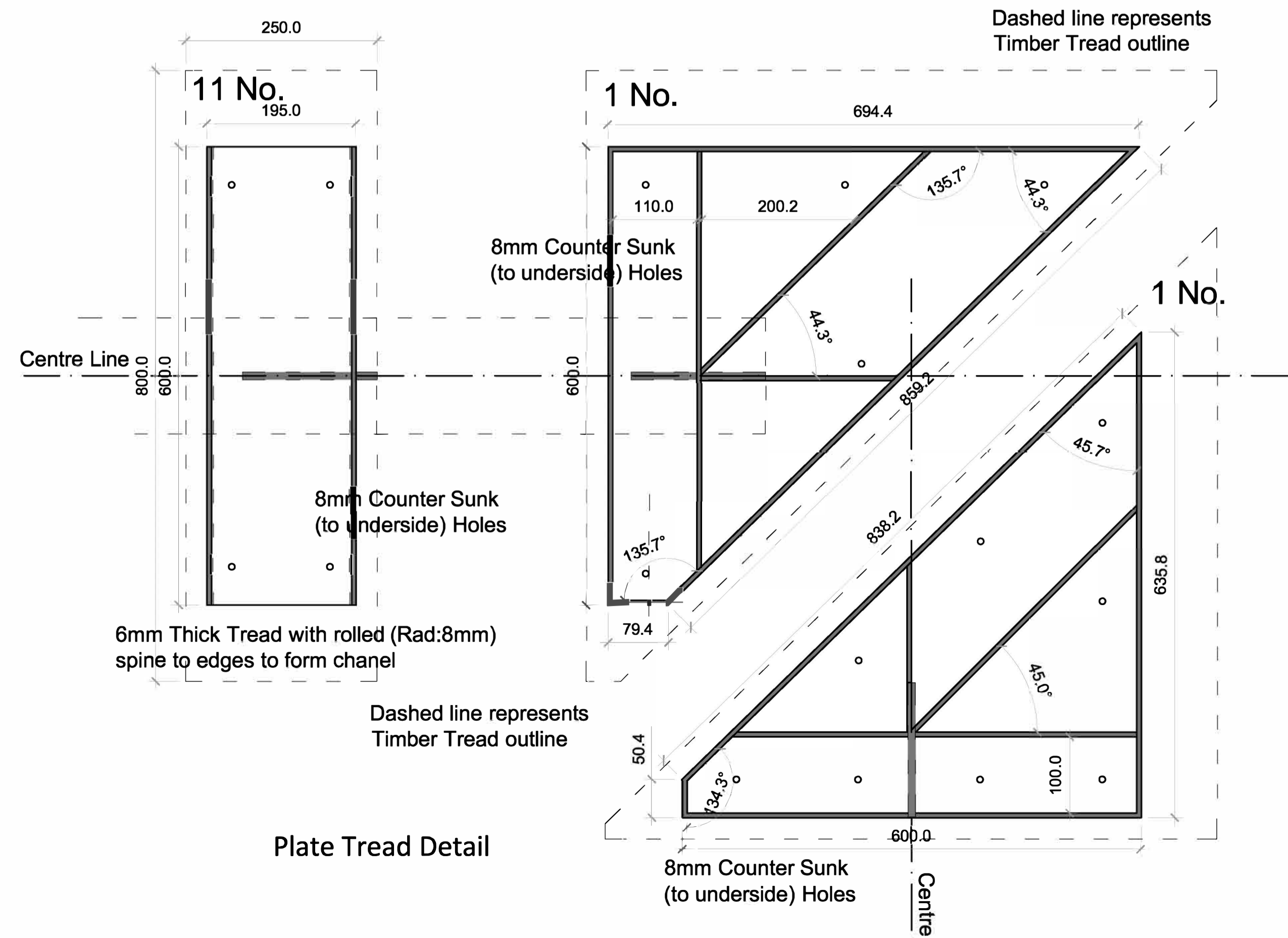


Plate Tread Detail